

# SmallRig



Extension Pole for DJI Stabilizer

— 大疆稳定器连接管 —

Operating Instruction / 操作指引

- Thank you for purchasing SmallRig's product.  
感谢您购买 SmallRig 产品。
- Please read this Operation Guide carefully.  
使用本产品之前，请仔细阅读操作指引。
- Please follow the safety warnings.  
请注意所有警告提示并遵循使用操作指引的所有指令。

## In the Box / 包装清单

Baseplate for RS3 MINI RS3 MINI 适配底座	× 1
Baseplate for RS Series Stabilizers RS 稳定器适配底座	× 1
Extension Handle 延长手柄	× 1
Allen Wrench 六角扳手	× 1
Guarantee Card 保修卡	× 1

## Product Details / 产品介绍

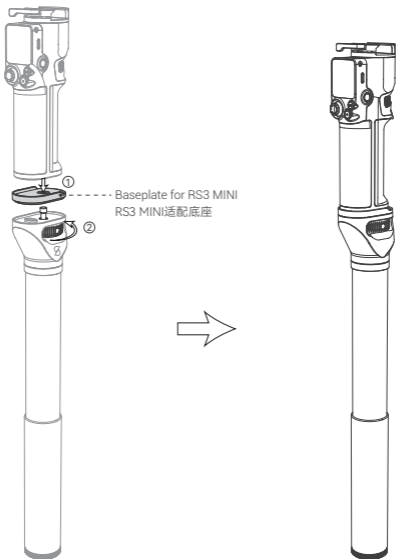


## Installation Instruction / 安装步骤

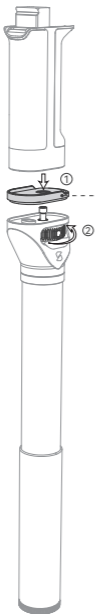
Align the base with the RS stabilizer battery grip base, then mount the extension handle to the base and tighten the thumb screw to ensure it is fully secured.

将底座对准安装在RS稳定器电池手柄底座，再将延长手柄连接上底座拧紧手拧螺丝，确保螺丝完全锁紧即可。

1



2



Baseplate for RS Series Stabilizers  
RS 稳定器适配底座



## Specifications / 产品参数

Product Dimensions 产品尺寸	2.4 × 1.5 × 14.7in 60.0 × 38.0 × 374.0mm
Product Weight 产品重量	9.7 ± 0.2oz 275.2 ± 5g
Material (s) 主要材质	Aluminum Alloy 铝合金
Compatibility 适配性	RS 3 MINI, RS 4, RS 4 Pro, RS 3, RS 3 Pro, RS 2

\* 技术参数如有改动，以实物为准，恕不另行通知。

Specifications subject to change without prior notice. Please refer to the physical product for the most up-to-date information.

CE RoHS



Séparez les éléments avant de trier



合格证  
已检验

Made in China  
中国制造