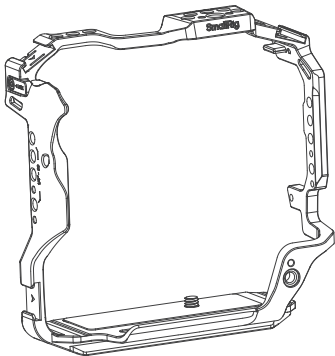


SmallRig



Cage for Canon EOS R5 Mark II with Cooling Fan CF-R20EP

拓展框 (适用于佳能 EOS R5 Mark II 搭配散热风扇CF-R20EP使用)

Operating Instruction / 操作指引

- Thank you for purchasing SmallRig's product.
感谢您购买 SmallRig 产品。
- Please read this Operating Instruction carefully.
使用本产品之前，请仔细阅读操作指引。
- Please follow the safety warnings.
请注意所有警告提示并遵循使用操作指引的所有指令。

In the Box / 包装清单

Cage 拓展框	× 1	Guarantee Card 保修卡	× 1
Operating Instruction 操作指引	× 1		

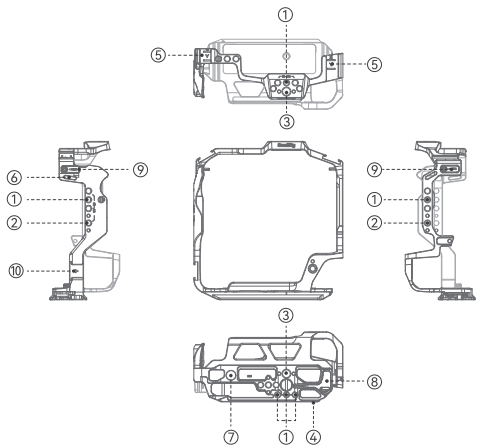
Specifications / 产品参数

Product Dimensions 产品尺寸	6.9 × 5.3 × 7.2in 177.4 × 135.0 × 183.1mm
Product Weight 产品重量	12.0 ± 0.2oz 340.4 ± 5.0g
Material(s) 主要材质	Aluminum Alloy, Stainless Steel 铝合金, 不锈钢

Specifications subject to change without prior notice. Please refer to the physical product for the most up-to-date information.

技术参数如有改动，以实物为准，恕不另行通知。

Product Details / 产品介绍



① 1/4"-20 Threaded Hole
1/4"-20 螺纹孔

② 1/4"-20 Locating Hole
1/4"-20 定位孔

③ ARRI 3/8"-16 Locating Hole
阿莱定位孔

④ H38 Arca-Swiss Quick
Release Plate
H38 快拆阿卡规格快装板

⑤ H18 Cold Shoe Mount
H18 快拆冷靴

⑥ Strap Slot
肩带 / 腕带接口

⑦ QD Socket
QD 接口

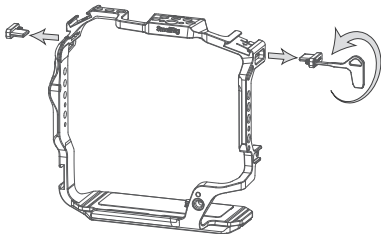
⑧ Dual-Head Wrench
双头扳手

⑨ Locating Block
定位压块

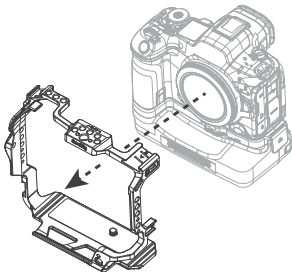
⑩ Cold Shoe Mount
冷靴

Installation Instructions / 安装步骤

- 1 Before installing, please remove the two locating blocks on the sides of the cage using the Dual-Head Wrench.
在安装之前，请先用双头扳手卸下拓展框两侧的定位压块。



- 2 Insert the camera into the cage from the back.
将相机从后往前放入相机拓展框。

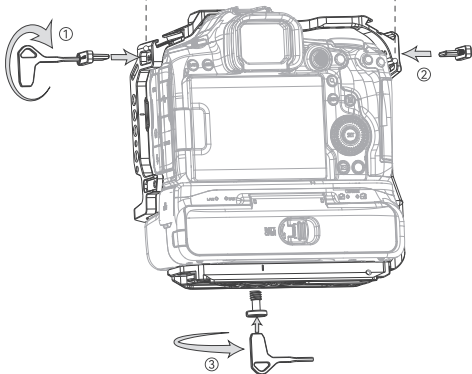
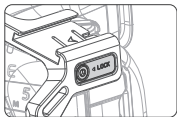
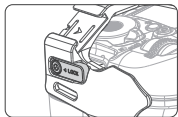


- 3 Then secure the cage by tightening the 1/4"-20 screw at the base with the Dual-Head Wrench.

通过双头扳手拧紧底部1/4"-20 螺丝，锁紧固定拓展框。

- 4 Secure the cage and camera strap slots by tightening two locating blocks on the sides of the cage.

通过双侧定位压块，锁紧固定拓展框和相机肩带槽。



* The package does not include the camera.

* 相机机身需另购

LQ-P1429-18

Manufacturer Email: support@smallrig.com

Manufacturer: Shenzhen Leqi Innovation Co., Ltd.

Add: Rooms 101, 701, 901, Building 4, Gonglianfuji Innovation Park, No. 58, Ping'an Road,
Dafu Community, Guanlan Street, Longhua District, Shenzhen, Guangdong, China.

制造商: 深圳市乐其创新股份有限公司

地址: 中国广东省深圳市龙华区观澜街道大富社区平安路58号共联富基创新园4栋101、701、901

Consignor: Shenzhen LC Co., Ltd.

Add: Room 201, Building 4, Gonglianfuji Innovation Park, No. 58, Ping'an Road,
Dafu Community, Guanlan Street, Longhua District, Shenzhen, Guangdong, China.

委托商: 深圳市乐长科技有限公司

地址: 中国广东省深圳市龙华区观澜街道大富社区平安路58号共联富基创新园4栋201

执行标准: GB/T 26572-2011



Séparez les éléments avant de trier



中国制造

Made in China